

Mini Recess Mount Fixed Domes, Analogue, IP & iHD Models



Introducing the amazing, new IRISx36 range of recess mount, micro dome marine cameras from Iris Innovations.

Redesigned for 2017, the x36 is now available in three formats:

IRIS036 Hi-Resolution Analogue Sensor, 1000TVL with composite video output

IRIS436 Hi-Def Ethernet IP Camera

IRIS1036 Hi-Def Real Time iHD Digital Video Output

For the first time ever, the x36 range offers customers a choice of video formats to suit their MFD or monitoring solution.

The IRIS036 will interface directly with any chart plotter that features a composite video input.

Its 1000TVL resolution is the highest available for an analogue camera, and it also boasts on screen configuration functionality to set the camera up exactly as required - including a video mirror switch for rear view applications. Set up is achieved by using a plug in UTC controller.

The IRIS1036 will interface directly into Raymarines GS195 MFD. When used in conjunction with the appropriate plug in adapter, the IRIS1036 will also interface with any Garmin, Navico, Furuno or Raymarine MFD with a digital input such as HDMI or DVI.

Producing broadcast quality real time video, the IRIS1036 is a plug and play device and does not require network configuration and management.

Finally, the IRIS436 is an IP camera that will interface with Raymarines network MFD's such as the new Axiom family and other devices running LightHouse 2 and 3 software. The camera is available with a 12VDC input as standard or with IEEE802.3af Power over Ethernet as an option.

The IRIS436's crisp, clear video can be viewed by up to 32 users at a time across your boats on board network and also features a high level of user configuration in order to configure the camera to suit your installation - including video mirror for rear view applications.

Because the camera is a network device, you can also view live streamed video across a wireless network on your phone, tablet or computer.

Key Features:

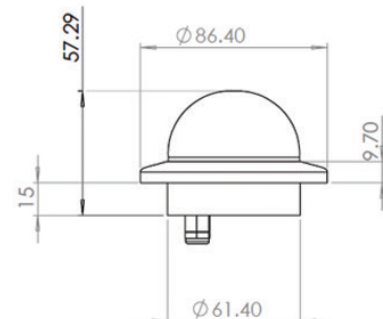
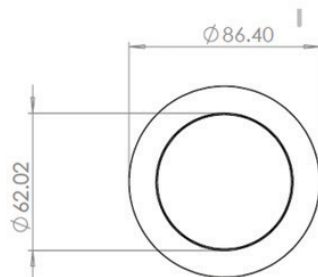
- Marine Grade 316 Stainless Case
- Small, unobtrusive Footprint (86mm ϕ)
- 3 SKU's, Analogue, iHD and IP
- Huge Compatibility
- Easy Installation & Low Power
- Stylish High Polished Finish
- Other finishes & Lens Options available*

*Contact your Iris dealer for further information.



Iris Innovations USA Corp
2821 SW23rd Avenue Unit 5
Fort Lauderdale,
Florida 33312
Tel: +1(954) 533 9381
info@boat-cameras.com

Iris Innovations Ltd
Unit 15 Fareham Innovation Center
Meteor Way
Lee on Solent
Hampshire PO13 9FU
Tel: +44(0) 2392 556509
irisuk@boat-cameras.com





IRISx36

IRISx36 Range Product Specifications

Model	IRIS036	IRIS1036	IRIS436
Image Sensor	1/3" Panasonic CMOS		1/4" Omnivision OV9712
Image Processing	Composite	iHD	H.264 Video Codec, Dual Stream 1-30fps adjustable
Effective Pixels	1944(H) x 1092(V) Approx 2.12M Pixels		921,600
Resolution	1000TVL	1080P/720P	720P
Min Illumination	0.017Lux	0.017Lux	0Lux (LED ON)
Illumination	NA	NA	12 x 850nm IR LED
IR Distance	NA	NA	10m
S/N Ratio	>48dB	>48dB	>50dB
Lens	3.7mm	3.7mm	3.6mm
Wide Dynamic Range	Off / Low / Middle / High (WDR SNR 120dB)		Supported
BLC	Off / BLC		Supported
3D DNR	Off / Low / Middle / High		Supported
Mirroring	Horizontal Flip / Vertical Flip		
AGC	Supported		
Network	NA	NA	Ethernet RJ45 (10/100 Base-T)
Protocol	NA	NA	TCP/UDP/HTTP/MULTICAST/UPnP/NTP/RTSP/ONVIF-S 2.4
Power over Ethernet	NA	NA	Optional (IRIS436-P)
P2P	NA	NA	Supported
Smart Phone	NA	NA	Android / iOS
Compatibility	All MFD's with Composite Video Input	All MFD's with Digital Video Input (HDMI-DVI with adapter)	Raymarine MFD's & PC Based Systems
Max Users	NA	NA	32 Users
Power	+10~16VDC		+12VDC / PoE IEEE802.3aF
Power Consumption	1.2W		1.4W
Operating Temp	-20°C ~ + 60°C		-35°C ~ + 60°C
Ingress Protection	IP66		
Dimensions	Bezel Diameter: 86mm / Panel Cutout		
Weight	0.225		
Material	316L Stainless Steel Housing		



Iris Innovations USA Corp

2821 SW23rd Avenue Unit 5
Fort Lauderdale,
Florida 33312
Tel +1(954) 533 9381
info@boat-cameras.com

Iris Innovations Ltd

Unit 15 Fareham Innovation Center
Meteor Way
Lee on Solent
Hampshire PO13 9FU
Tel: +44(0) 2392 556509
irisuk@boat-cameras.com