

4

3

2

1

F

F

E

E

D

D

C

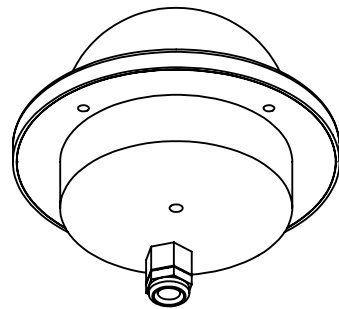
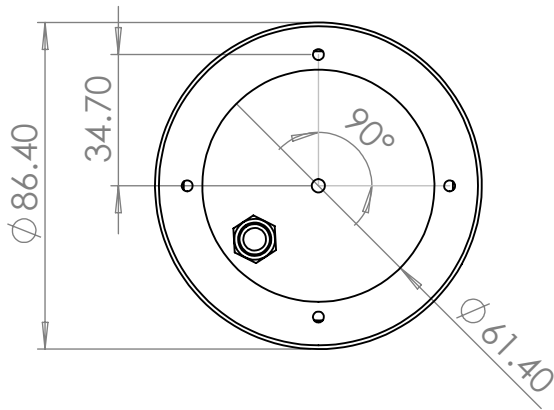
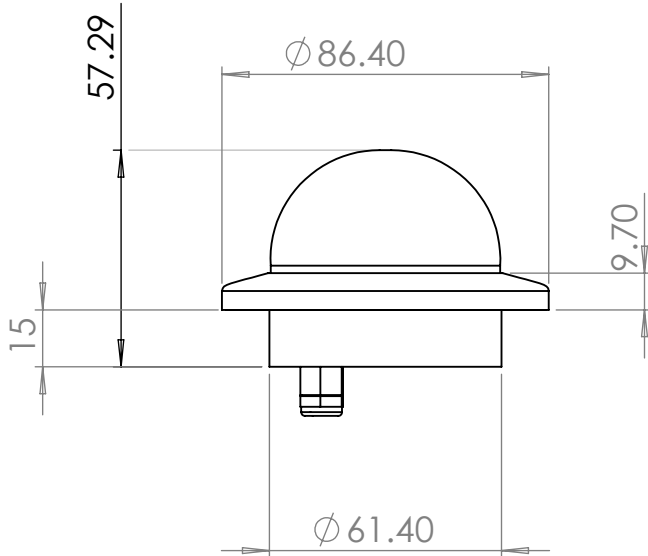
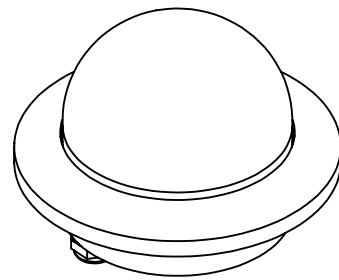
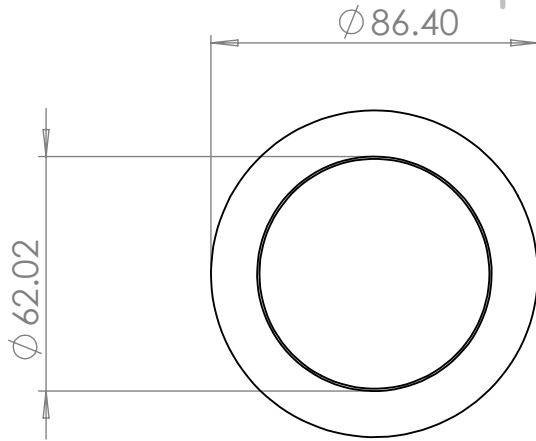
C

B

B

A

A



UNLESS OTHERWISE SPECIFIED:  
 DIMENSIONS ARE IN MILLIMETERS  
 SURFACE FINISH:  
 TOLERANCES:  
 LINEAR:  
 ANGULAR:

FINISH:

DEBURR AND  
BREAK SHARP  
EDGES

DO NOT SCALE DRAWING

REVISION

	NAME	SIGNATURE	DATE	
DRAWN				
CHK'D				
APPV'D				
MFG				
Q.A				

TITLE:

MATERIAL:

DWG NO.

# IRIS X36

A4

WEIGHT:

SCALE:1:2

SHEET 1 OF 1

4

3

2

1