

IRIS

IRIS-735

Micro-Compact Flush Mounting 316L Stainless Wide Camera



Key Features:

- Micro-compact form factor - 28mmø x 36mm
- 316L Stainless Steel
- 4-in-1 Video Format (CVBS, TVI, CVI, AHD)
- 2.9mm Wide Angle Lens
- Starlight Sensor for Ultra Low Light Operation
- Compatible with All Chart Plotters with Composite Input
- Compatible with CMAC-HVR systems
- Compatible with TV's via HDMI converter (TVI mode)
- IP67 Environmental Rating
- Low Power Consumption

Applications:

- Perfect For Extreme Environments
- Road Traffic Surveillance
- Monitoring Dynamic Digital Signage
- Engine Room Monitoring
- Deck Monitoring
- Fishing Vessel Monitoring & Surveillance
- Emergency Vehicle Camera Applications
- Animal / Food Processing Applications

If you need a discreet, tough and reliable camera to provide all round visibility in and around your vehicle, the IRIS735 is the perfect solution.

Machined from marine grade 316L corrosion proof stainless steel and measuring a mere 28mm diameter by 36mm long, the 735 is designed to be flush mounted to provide a semi-covert monitoring solution.

The camera module features a Sony Starvis sensor for enhanced low light performance, a wide angle 2.9mm lens offering 140° HFOV and user-selectable 4-in-1 video output (CVBS, AHD, HD-TVI & HD-CVI). HD-TVI & HD-CVI deliver HD quality resolutions in real time.

The 735 has an environmental rating of IP67 and is resistant to salt spray which means it can be installed onto boats as well as land vehicles. The camera ships with an angle mount adapter, is extremely quick and easy to install and requires very low power.

The 735 can be fed directly into a dedicated on-vehicle monitor or installed as part of a larger multi camera system managed by our range of CMAC systems or vehicle recorders.

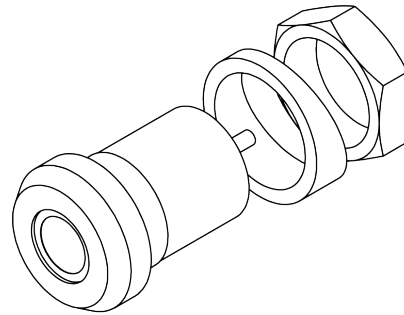
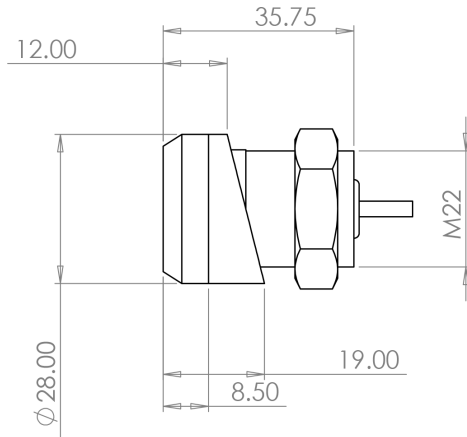


IRIS

IRIS-735

Rugged NDAA Compliant 2MP Fixed Network Camera with PoE

IRIS735 Dimensions



Specifications:

	IRIS735
Sensor	1/2.8" SONY STARVIS CMOS Sensor
Resolution	1920 x 1080P @ 30fps (NTSC) / 25fps (PAL) / 906H in CVBS mode
Minimum IlluminatiON	0.001 Lux (F-1.2)
Day & Night Operation	Auto / Colour / Monochrome / External
Video Output Modes	Analogue HD Modes: HD-TVI, HD-CVI, AHD / Analogue: Composite Video (CVBS) NTSC / PAL
Lens	2.9mm
Shutter Speed	Auto / Manual (1/50(60) - 1/50,000 sec)
Horizontal Field of View	140°
Defog	Off / Auto
White Balance	ATW / AWC / INDOOR / OUTDOOR / MANUAL / AWB
Back Light Compensation	OFF / BLC / HSBL
D-WDR	Off / 0~8
SENS-UP	Off / x2 ~ x30
DNR	Off / Low / Middle / High
Brightness	0 - 100
Motion Detection	Off / On
Image Mirror	Off / Mirror / V-Flip / Rotate
Sharpness	0 ~ 10 Steps
Material	316L Marine Grade, Corrosion Resistant Stainless Steel
Power	DC12V ±10% / 125mA (1.5W)
Weight	0.1Kg
Dimensions	28mmØ x 36mm
Environmental / EMC	EN60529 IP67 / EMC EN60945 (TBC)
Operating Temperature	-10°C ~ + 50°C / <90% Humidity